

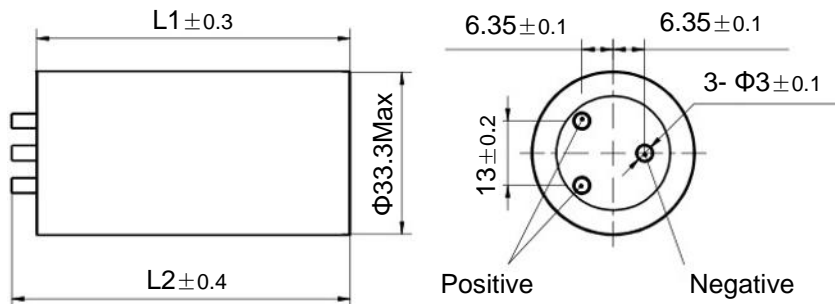
Features

- Cylindrical with soldering pillar terminal
- Low ESR
- Over 500,000 duty cycles

Applications

- Pitching control system of Wind Turbine Generator
- UPS and backup power supply
- Electronic tools and police flash lights

Dimensions



Cap	Dimension/ mm	
	L1	L2
500F	79.8	84.7
800F	112.8	118.7

Specifications

Items	Characteristics
Operating Voltage	3 VDC
Surge Voltage	3.15 VDC
Operating Temperature Range	-40°C to 65°C
Capacitance Tolerance	-10% to +20% (25°C)
Temperature Performance(-40°C to 65°C)	ΔC ≤ 5% of initial measured value@ 25°C ESR ≤ 150% of specified value
Life (1000 hours @ 65°C, 3.0 VDC)	C ≥ 70% of specified value ESR ≤ 200% of specified value
Cycle life (500,000 cycles between V _R and 1/2 V _R)	C ≥ 70% of specified value ESR ≤ 200% of specified value

Standard Product

CAP (F)	Part Number	ESR (mohm)		LC (mA, RT 72hrs)	Max. Energy Stored (Wh)	Max. Energy Density (Wh/Kg)	Max. Continuous Current (40°C,A)	Max. Peak Current (A)	Typical Mass (g)
		AC @ 1kHz	DC						
500	SCE0500C0-0003R0SPE	1.5	2.5	1.4	0.63	6.9	43	333	90
800	SCE0800C0-0003R0SPE	1.3	1.8	2.1	1.00	8.0	59	492	125

SPSCAP All Rights reserved, design, specifications are subjected to change without notice. Version: 5.0